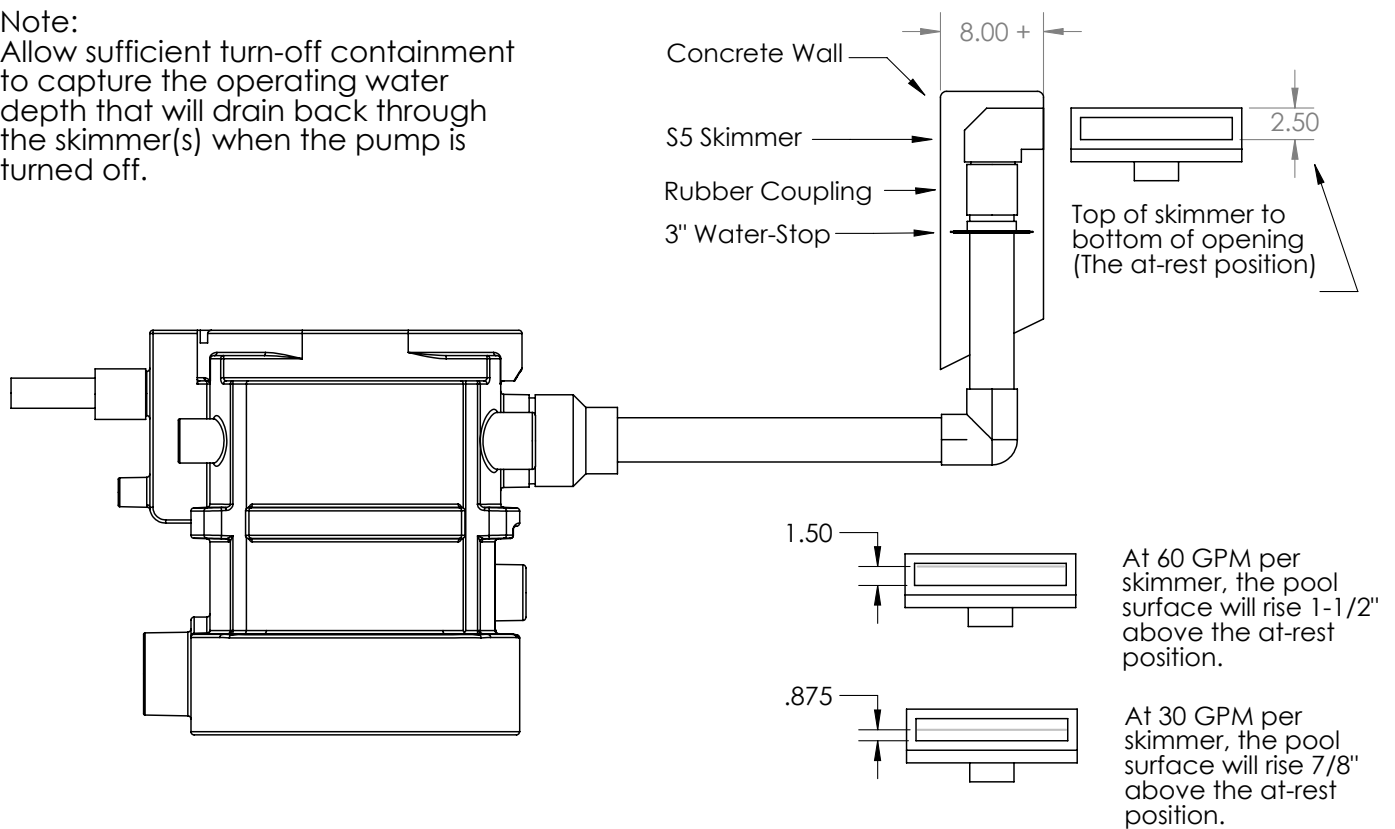


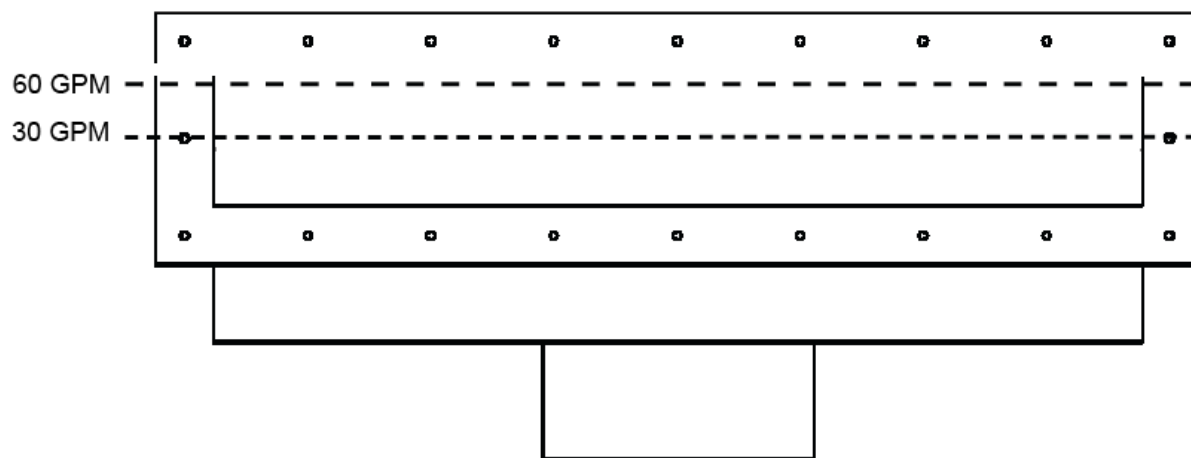
# S5 In-Wall Skimmer

## S5 Skimmer Raised Pool Installation

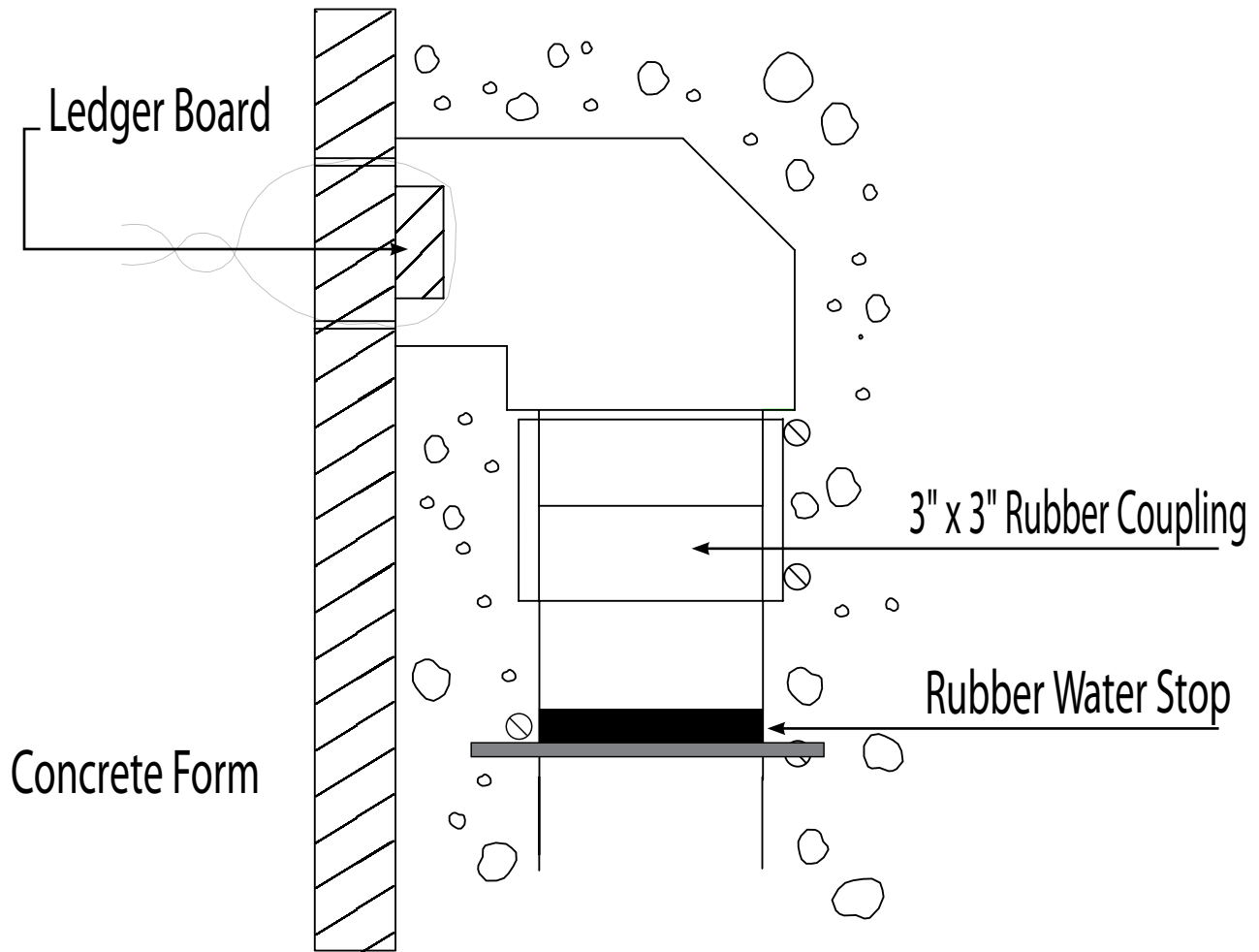
Note:  
Allow sufficient turn-off containment  
to capture the operating water  
depth that will drain back through  
the skimmer(s) when the pump is  
turned off.



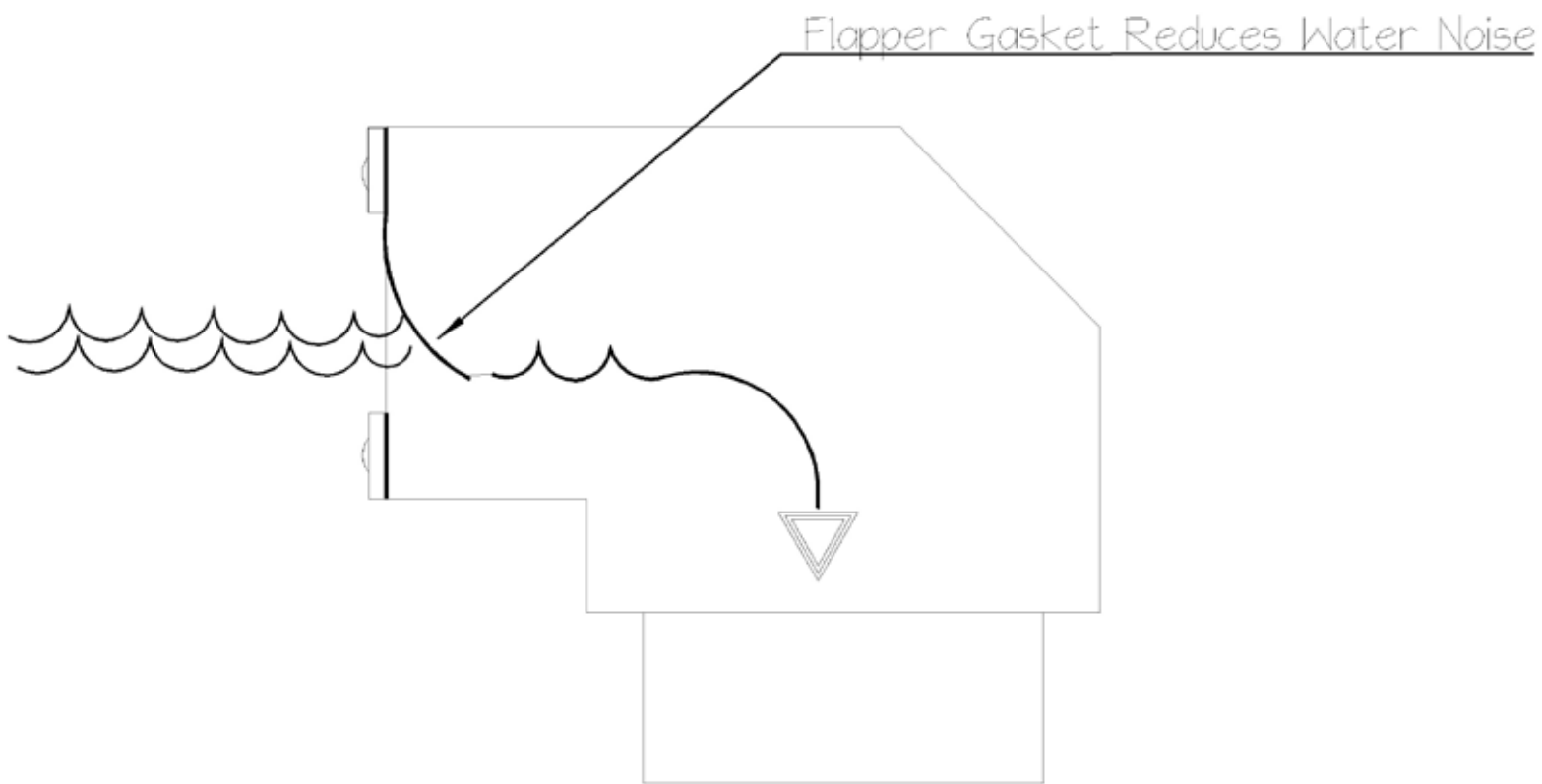
# S5 In-Wall Skimmer



# S5 In-Wall Concrete Placement



# S5 In-Wall Skimmer



# S5 Waterstop Installation

**1.**

Stretch the waterstop over the pipe



**2.**

Place the Rubber collar over the rubber band on the waterstop



**3.**

Place the stainless steel band over the collar and tighten the clamp.

