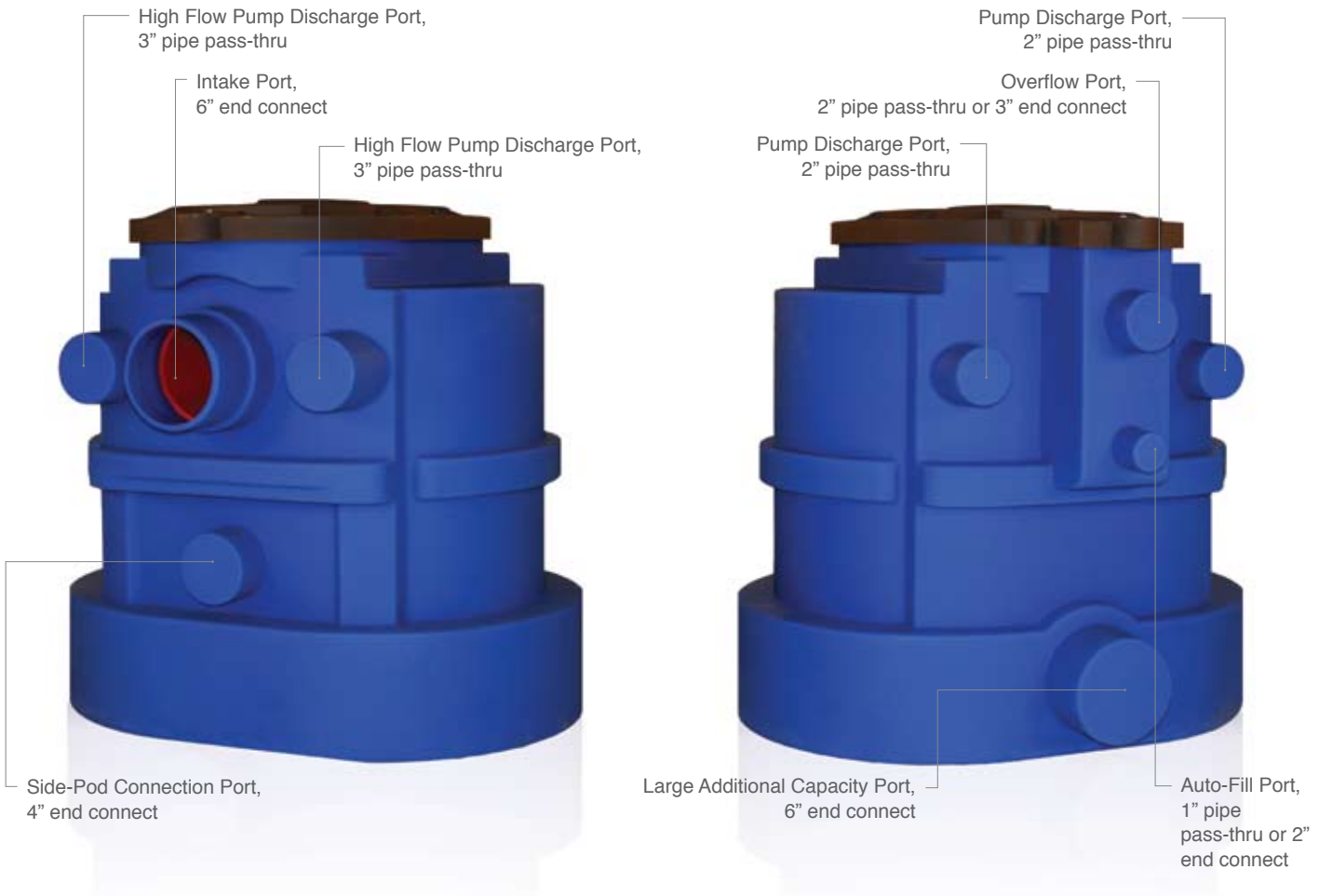


T75F FILTER TANK | FILTER TANKS

Dual filtering and a spacious pumping chamber, which houses up to four pumps, makes the T75F Filter Tank a favorite for any water feature flowing up to 200 GPM (12,000 GPH). This strong, structurally engineered Filter Tank works easily with both concrete and rubber liner making it ideal in both residential and commercial installations.



T75F FILTER TANK

MODEL: T75F

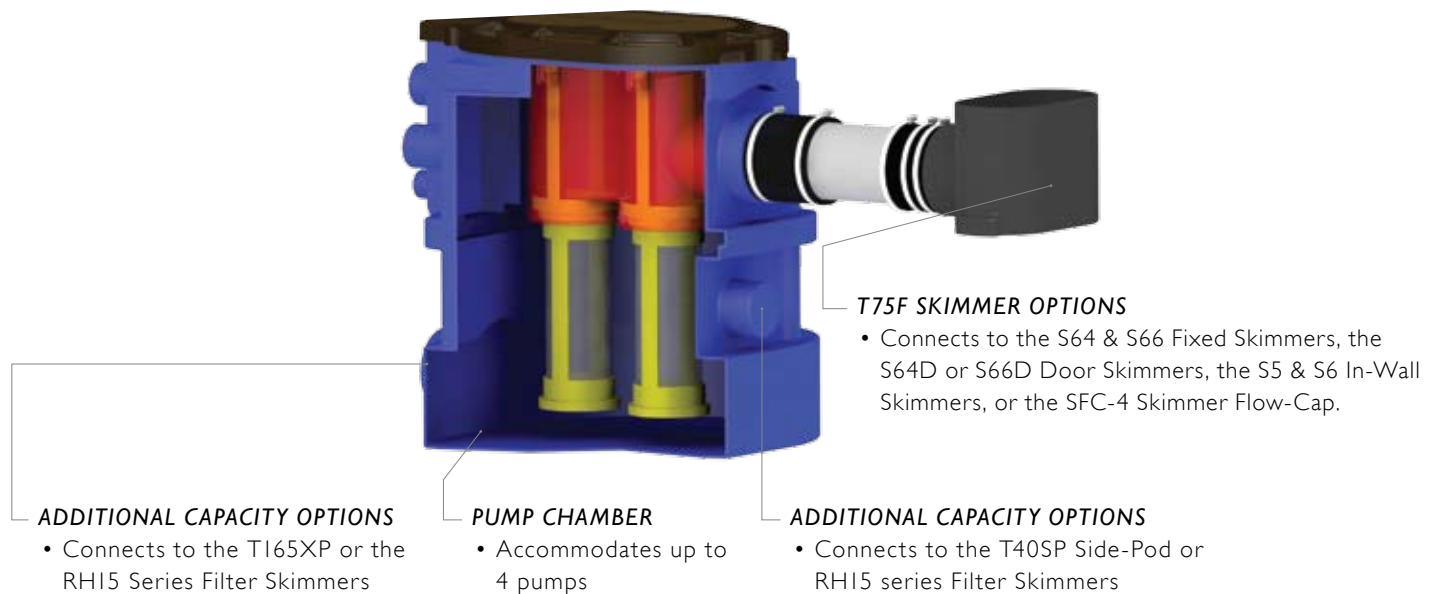
FEATURES:

- Weight: 72 lbs
- Dimensions: L: 35", W: 36", H: 32"
- A 6" intake port handles flow rates up to 200 GPM (12,000 GPH)
- Handles flow rates up to 440 GPM (26,400 GPH) when used with RH15 series Filter Skimmers pg 32
- 75 gallon Filter Tank (provides 40 gallons of water-in-motion reserve @ 9" residual water depth)
- Can be placed away from the water feature
- Accepts interchangeable skimmers
- Large pumping chamber
- Bolt down integrated lid system
- Convenient filter access (Filter Basket purchased separately)
- Removable Filter Carriage
- Front & back discharge ports for up to four pumps
- Front and back additional capacity ports for expandable water containment

PUMP DISCHARGE AND OVERFLOW KITS *sold separately*

Model	Type of Kit	Pump Thread Connection	Exit Pipe Size	Port
D21	Pump Discharge	1", 1-1/4", & 1-1/2"	2"	Back
D21Q	Pump Discharge	1", 1-1/4", 1-1/2", & 2"	2"	Front or Back
D22	Pump Discharge	2"	2"	Back
D23	Pump Discharge	1", 1-1/4", & 1-1/2"	2"	Front
D24	Pump Discharge	2"	3"	Front
D24Q	Pump Discharge	2" & 3" *	3"	Front
D25	Pump Discharge	3" *	3"	Front
F23	Overflow	-	2" or 3"	Back

* Restraining Bracket Included



FILTER BASKETS AND REPLACEMENT SCREENS *sold separately*

