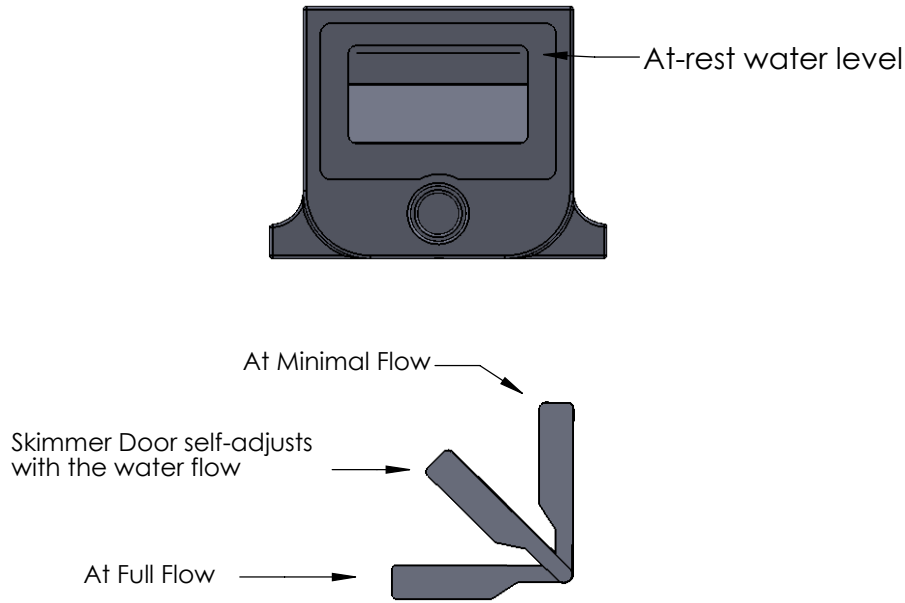
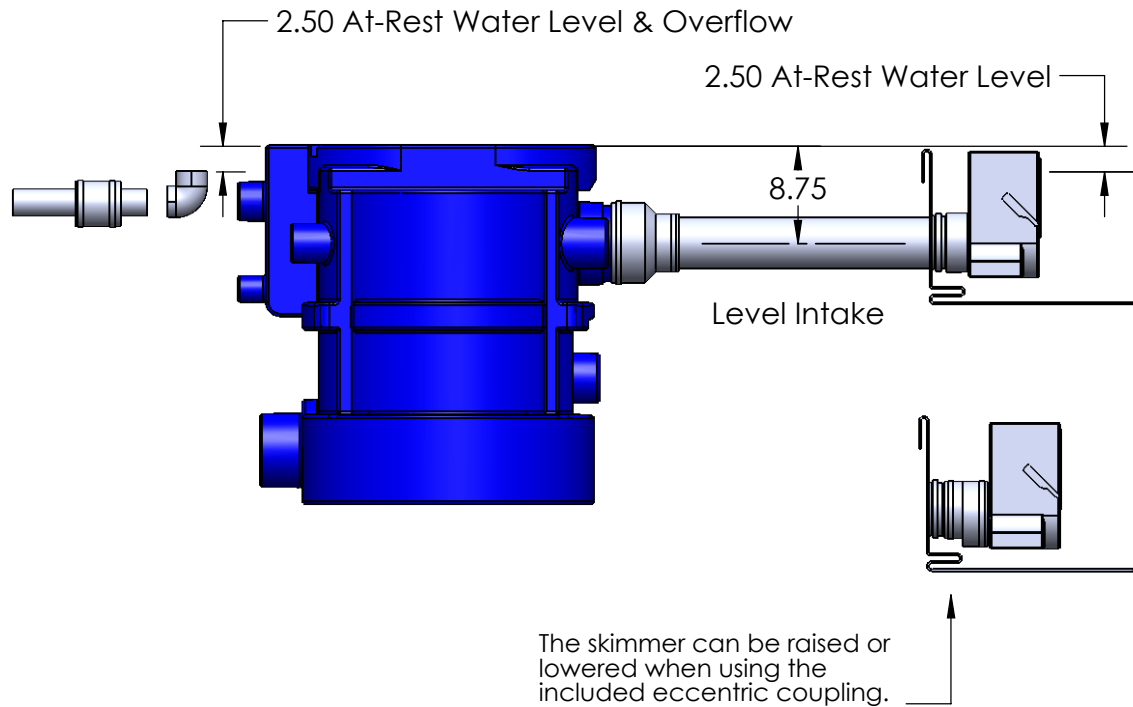


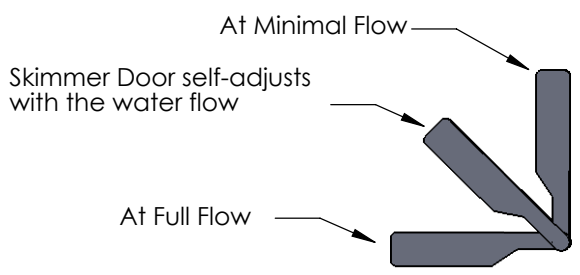
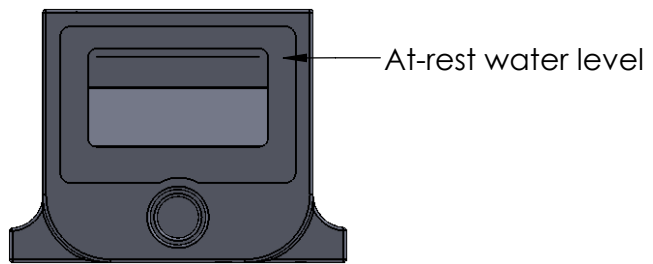
The At-Rest water level in the pond is determined by the overflow level inside the Filter Tank. The highest overflow level is 2.50" down from the top of Filter Tank.



The highest water level in the pond matches the in-tank overflow level.



The At-Rest water level in the pond is determined by the overflow level inside the Filter Tank. The highest overflow level is 2.50" down from the top of Filter Tank.



The highest water level in the pond matches the in-tank overflow level.

