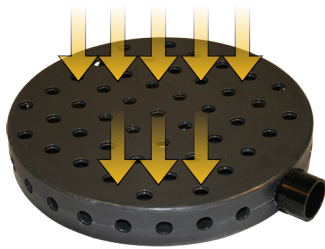


BOTTOM DRAWS | FIXTURES & COMPONENTS

Bottom-Draws remove debris from the bottom of the pond and help replace stagnant water with healthy, oxygenated water.

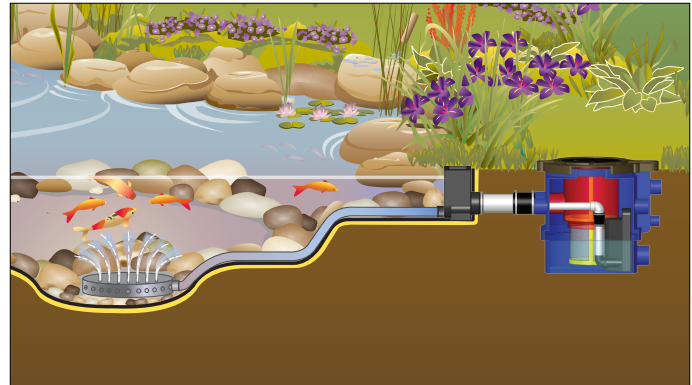


LARGE DIAMETER DISC

- Allows rock placements over the top and sides which makes hiding the Bottom-Draw Disc easy

PIPE CONNECTION

- Connects to 1-1/2" pipe from Door Skimmer



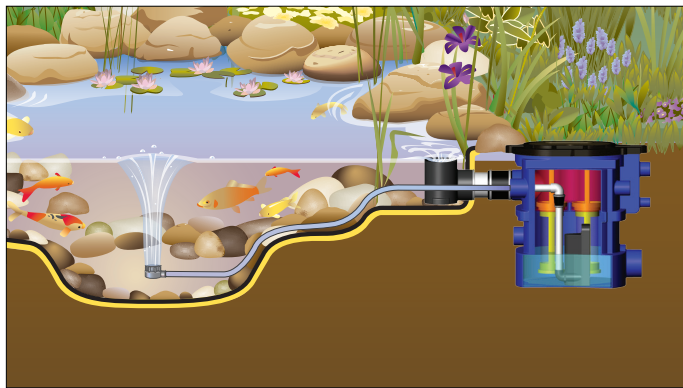
The gravity fed Bottom-Draw Disc connects to the threaded port on the Door Skimmer. This eliminates having to make a second liner penetration.

BOTTOM-DRAW DISC

MODEL: CD1

MAX GPM: 15

CONNECTION: 1-1/2"



JETTING ACTION

- Place the Jets at the pond bottom and let the water boil to the surface

EFFICIENT CIRCULATION

- For optimum efficiency, place the jet on a pump of its own to maintain constant water circulation when the larger waterfall pump is turned off.



CIRCULATION JET CONNECTION

The Circulation Jet is easily connected using 1" flex-pipe and can simply be run over the top of the liner or tucked beneath a rock outcropping.

CIRCULATION JET

MODEL: JET-3

MAX GPM: 20

CONNECTION: 1" fip pipe thread

NOTE: Use with a spring check valve to prevent water from siphoning back into the filter tank if the circulation pump is turned off.

"C" SERIES CIRCULATORS | CONCRETE FEATURES

Circulators provide sub-surface water movement and circulation for aeration and uniform exposure to UV-Clarifiers

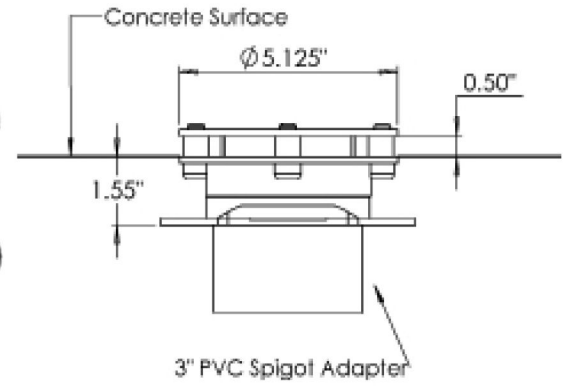
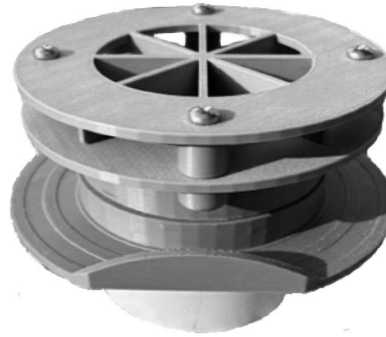
"C" SERIES CIRCULATORS

MATERIAL: COMPOSITE
COLOR: GREY, BLACK, WHITE

BOTTOM DRAW CIRCULATOR

MAX GPM: 50

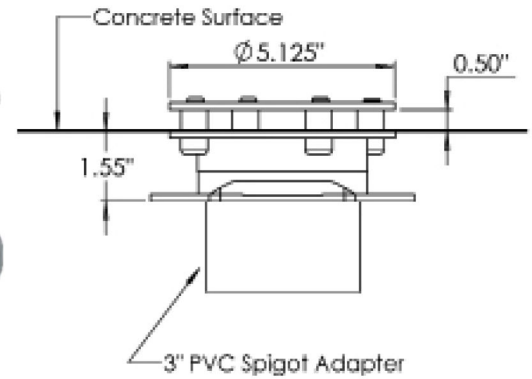
MODEL: CBD-03-G	Color: Grey
MODEL: CBD-03-B	Color: Black
MODEL: CBD-03-W	Color: White



LATERAL CIRCULATOR

MAX GPM: 80

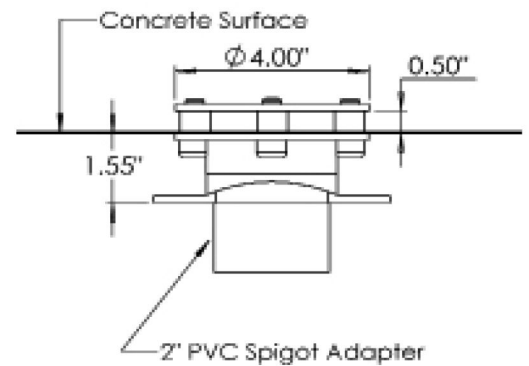
MODEL: CLC-03-G	Color: Grey
MODEL: CLC-03-B	Color: Black
MODEL: CLC-03-W	Color: White



LATERAL CIRCULATOR

MAXIMUM GPM: 40

MODEL: CLC-02-G	Color: Grey
MODEL: CLC-02-B	Color: Black
MODEL: CLC-02-W	Color: White



CONCRETE FEATURES | "C" SERIES CIRCULATORS

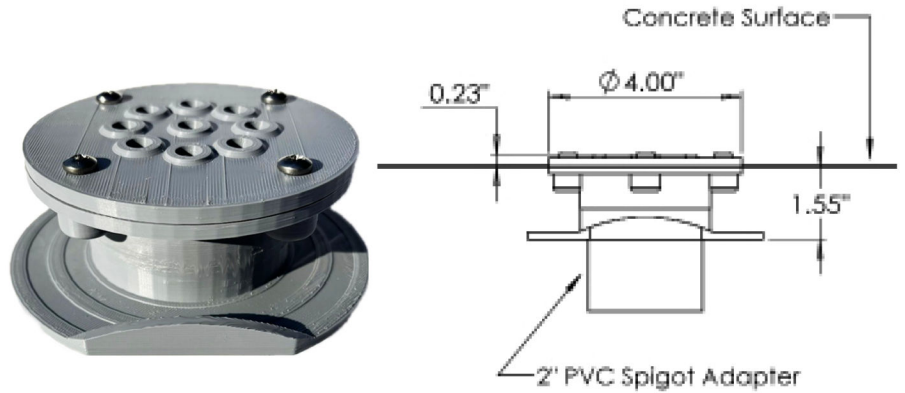
"C" SERIES CIRCULATORS

MATERIAL: COMPOSITE
 COLOR: GREY, BLACK, WHITE

UP-FLOW CIRCULATOR

MAX GPM: 40

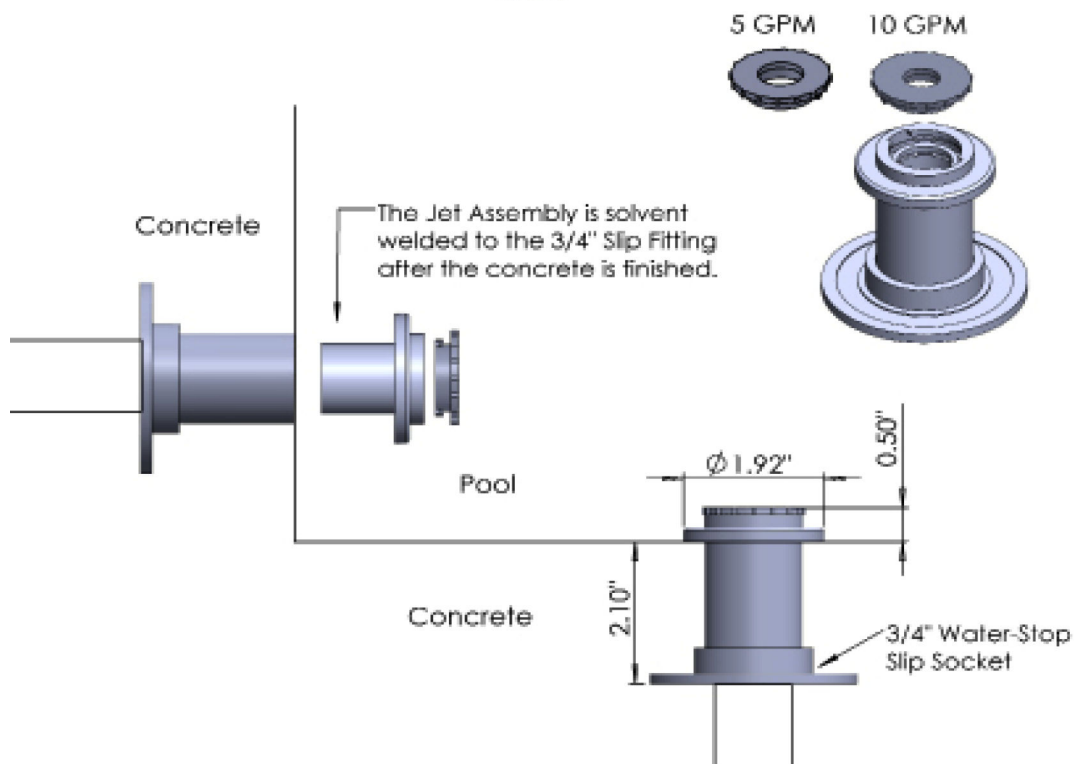
- MODEL: CVC-02-G Color: Grey
- MODEL: CVC-02-B Color: Black
- MODEL: CVC-02-W Color: White



MINI JET CIRCULATOR

MAX GPM: 5 GPM, 10 GPM

- MODEL: CVC-G Color: Grey
- MODEL: CVC-B Color: Black
- MODEL: CVC-W Color: White



"M" SERIES CRICULATORS | METAL WATER FEATURES

Circulators provide sub-surface water movement and circulation for aeration and uniform exposure to UV-Clarifiers and Chlorinators.

50 GPM BOTTOM DRAW CIRCULATOR

MATERIAL: COMPOSITE WITH SCH 80 TANK ADAPTERS

MODEL: MBD-03-G

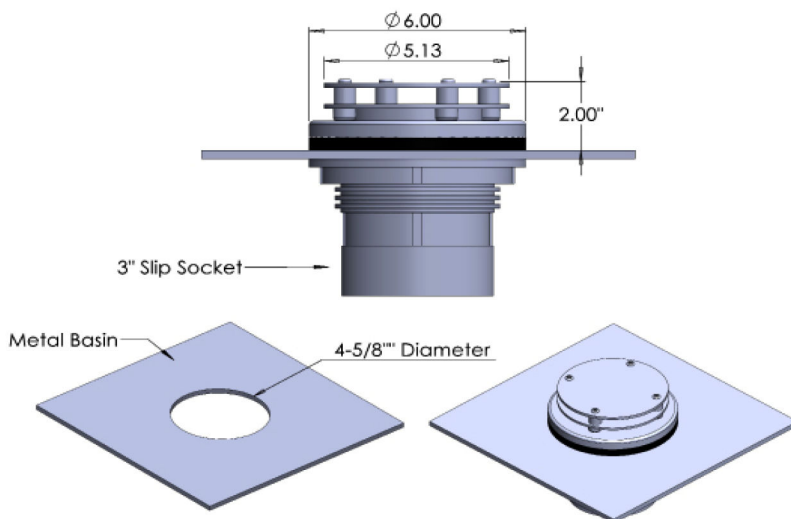
Color: Grey

MODEL: MBD-03-B

Color: Black

MODEL: MBD-03-W

Color: White



80 GPM LATERAL CIRCULATOR

MODEL: MLC-03-G

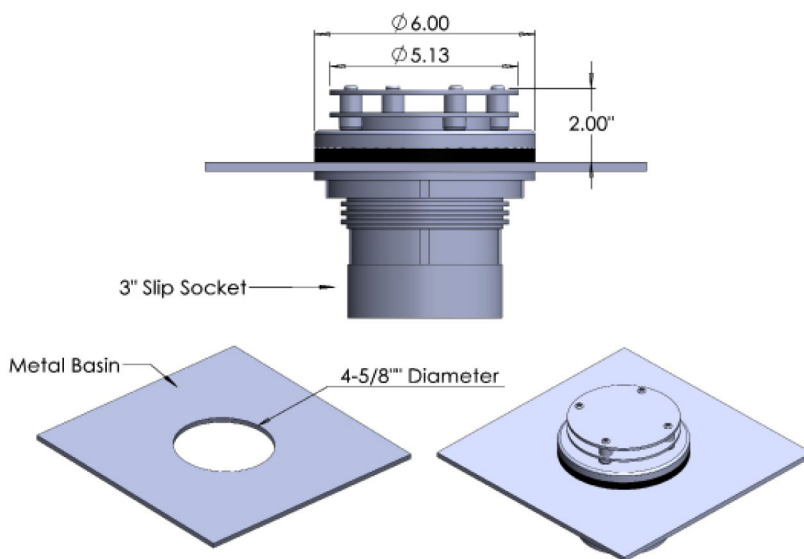
Color: Grey

MODEL: MLC-03-B

Color: Black

MODEL: MLC-03-W

Color: White



40 GPM LATERAL CIRCULATOR

MODEL: MLC-02-G

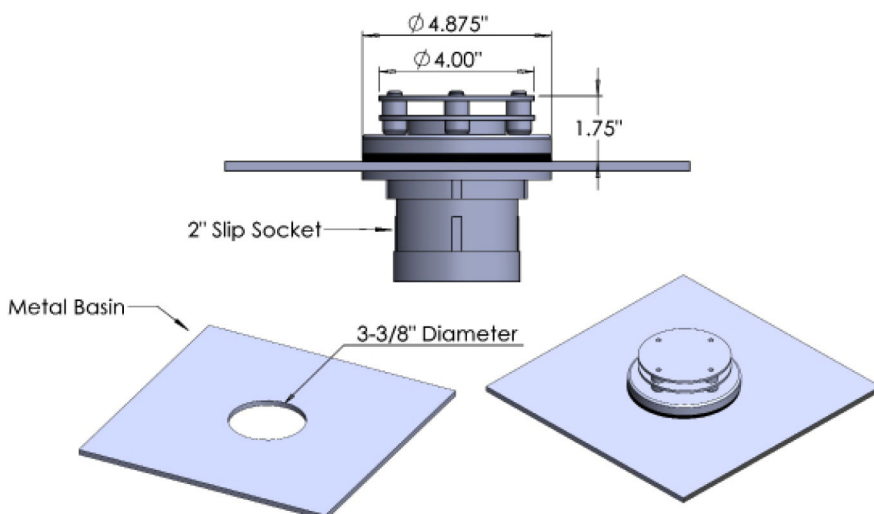
Color: Grey

MODEL: MLC-02-B

Color: Black

MODEL: MLC-02-W

Color: White

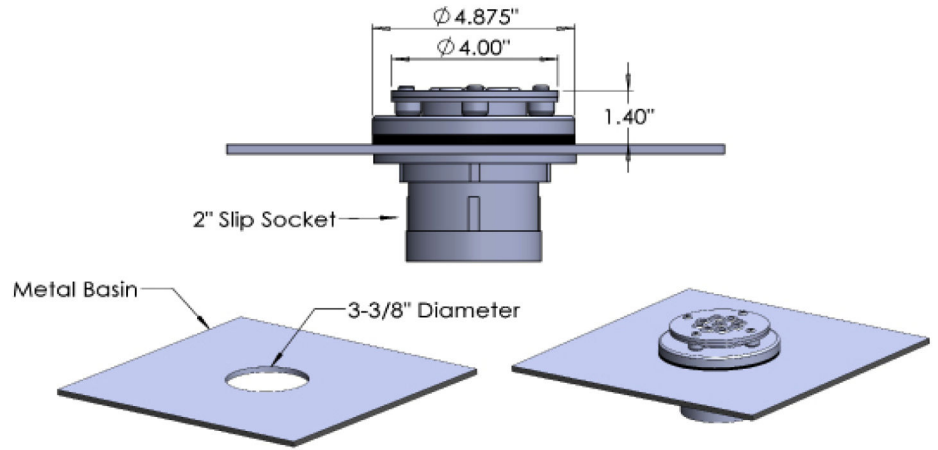


40 GPM UP-FLOW CIRCULATOR

MODEL: MVC-02-G

MODEL: MVC-02-B

MODEL: MVC-02-W



MINI JET CIRCULATOR

MAX GPM: 5 GPM, 10 GPM

MODEL: MVC-G

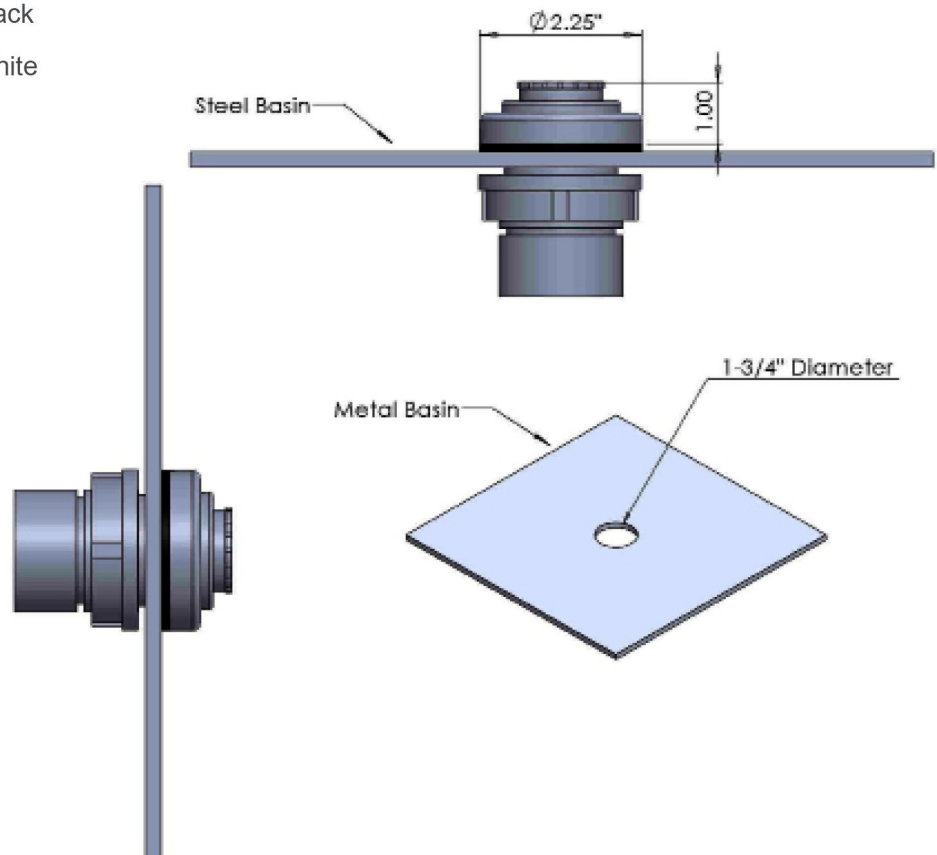
Color: Grey

MODEL: MVC-B

Color: Black

MODEL: MVC-W

Color: White



These full flow intake strainers provide full flow bottom draw intake for natural water features.

INTAKE STRAINER

MATERIAL: 304 stainless steel

MODEL: DSC-4

MAX GPM: 80

CONNECTION: Fits over 4" IPS pipe

DIMENSIONS: 5.5" L x 6" W

LINER CONNECTION KIT
FOR 4" PIPE:

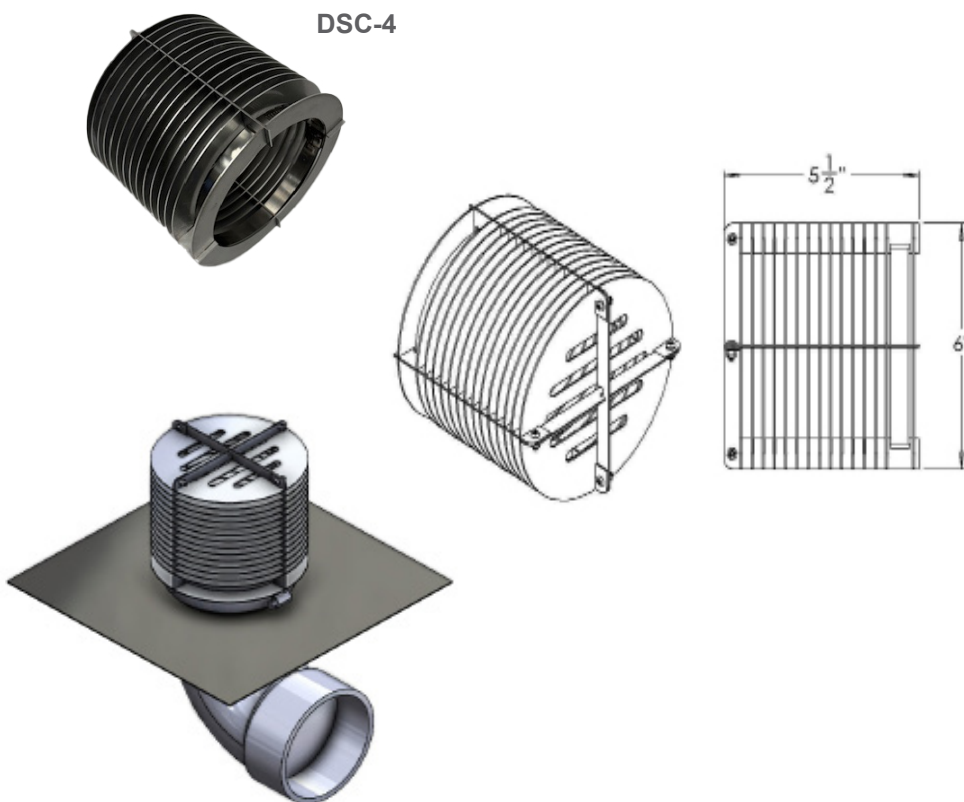
MODEL: RC4

LINER CONNECTION KIT
FOR 3" PIPE:

MODEL: RC3

LINER CONNECTION KIT
FOR 2" PIPE:

MODEL: RC2

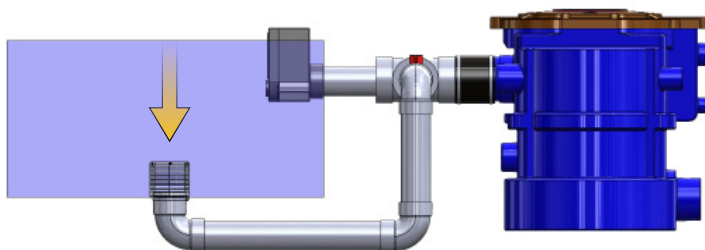


TRACING DISC

- Assures the correct diameter cutout

LINER CONNECTION CLAMP

- Provides a tight, uniform clamping pressure over the stretched liner



QUICK. SIMPLE. SECURE.

Follow the steps below for an easy and efficient connection to rubber liner.



1. TRACE

Run a pipe from the Filter Tank to the rubber liner. Use the tracing disc to draw a circle on the liner at the center point of the pipe.



2. CUT

With scissors, cut out the traced circle from the liner.



3. STRETCH

Stretch the liner over the pipe; this creates a tight bond around the pipe.



4. CLAMP

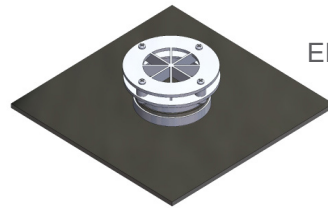
Slip the rubber lined stainless steel clamp over the liner and tighten.

CIRCULATION | RUBBER LINED WATER FEATURES

Circulators provide sub-surface water movement and circulation for aeration and uniform exposure to UV-Clarifiers and Chlorinators.

"R" SERIES CIRCULATORS

MATERIAL: COMPOSITE
COLOR: GREY, BLACK, WHITE



EPDM Rubber Liner

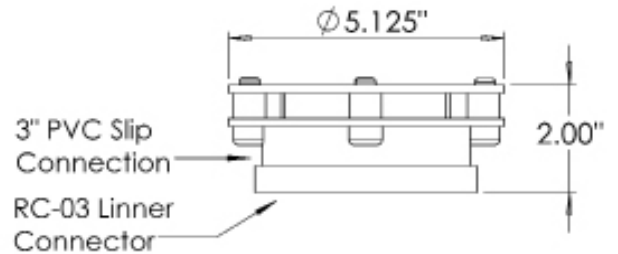
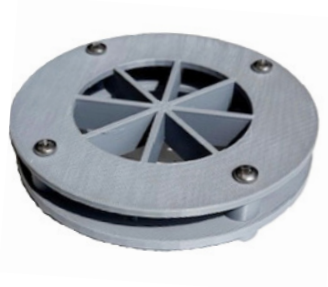
BOTTOM DRAW CIRCULATOR

MAX GPM: 50

MODEL: RBD-03-G Color: Grey

MODEL: RBD-03-B Color: Black

MODEL: RBD-03-W Color: White



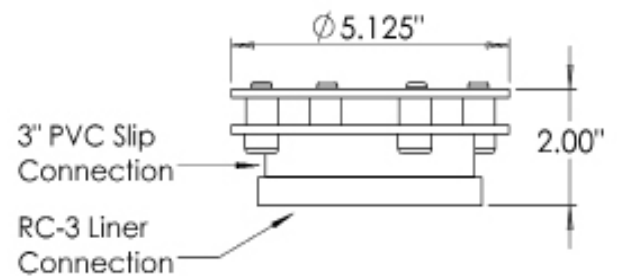
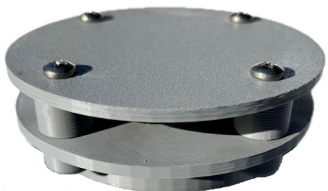
LATERAL CIRCULATOR

MAX GPM: 80

MODEL: RLC-03-G Color: Grey

MODEL: RLC-03-B Color: Black

MODEL: RLC-03-W Color: White



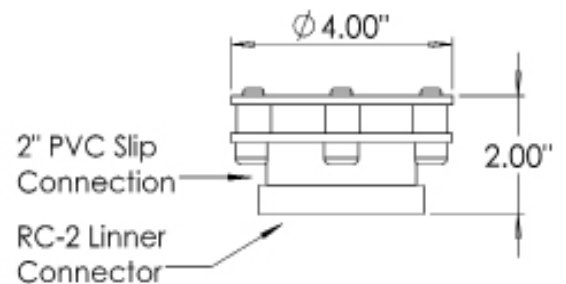
LATERAL CIRCULATOR

MAXIMUM GPM: 40

MODEL: RLC-02-G Color: Grey

MODEL: RLC-02-B Color: Black

MODEL: RLC-02-W Color: White



UP-FLOW CIRCULATOR

MAX GPM: 40

MODEL: RVC-02-G Color: Grey

MODEL: RVC-02-B Color: Black

MODEL: RVC-02-W Color: White

