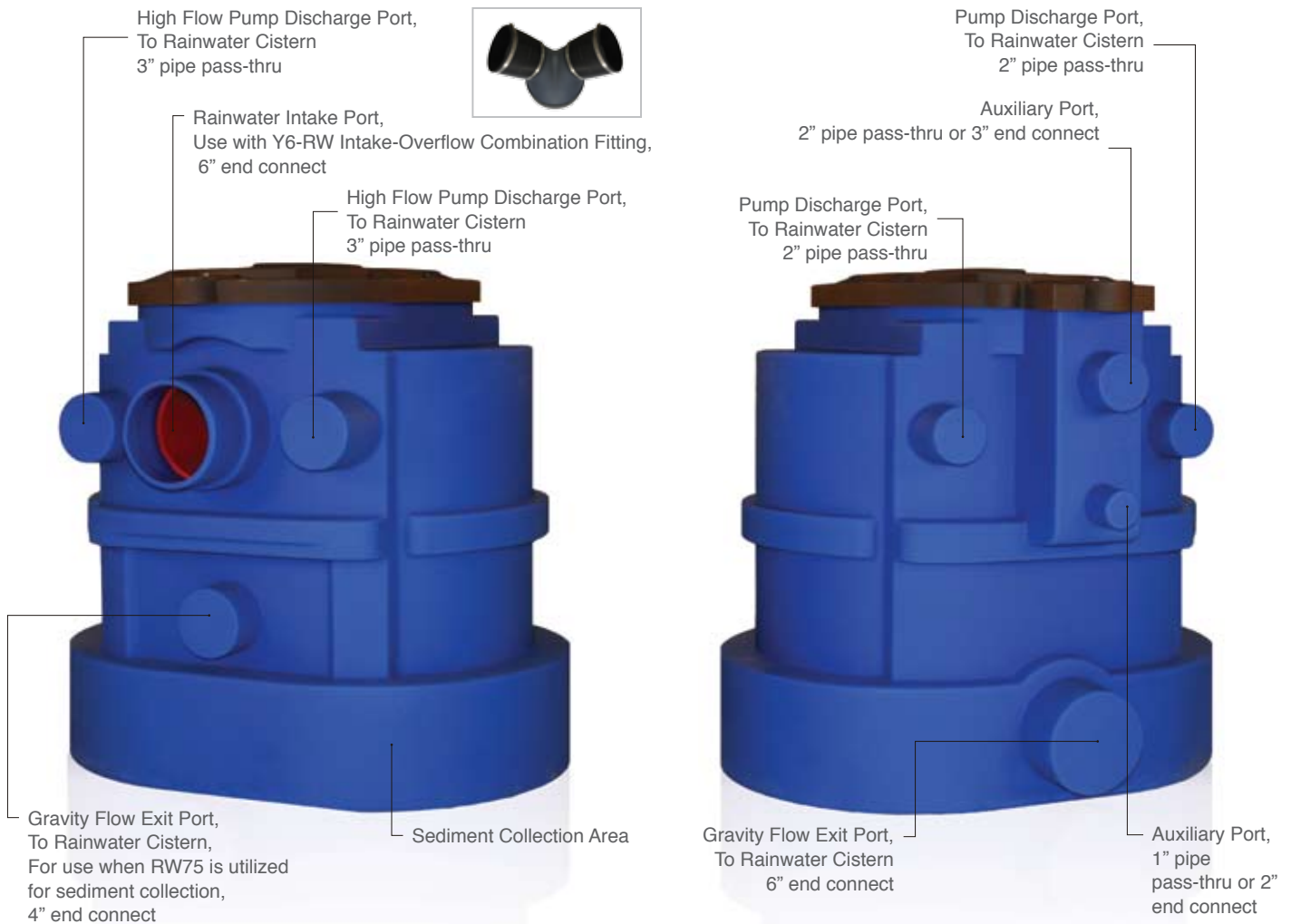


## RW75 RAINWATER FILTERS |

Dual filtering and a spacious pumping chamber makes the RW75 Rainwater Filter a favorite for any rainwater catchment system with flows up to 80 GPM (4,800 GPH). This strong, structurally engineered Rainwater Filter effectively removes debris from in-flowing rainwater and can be used with both above and below grade rainwater cisterns.



### RW75 SERIES RAINWATER FILTERS

#### FEATURES:

- Weight: 78 lbs
- A 6" rainwater intake port handles flow rates up to 80 GPM (4,800 GPH)
- Interchangeable Stainless Steel Filters
- Large pumping chamber
- Bolt down integrated lid system
- Convenient filter access
- Removable Filter Carriage
- Front & back discharge ports for up to four pumps
- Exit Port for gravity fed systems (no pump)
- Auxiliary Port for custom components

#### MODEL: RW75-15024

MAX GPM FLOW: 30

FILTRATION:

- (1) 150 Mesh First-Flush Filter (100 Micron)
- (1) 24 Mesh Filter (680 Micron)

#### MODEL: RW75-2424

MAX GPM FLOW: 50

FILTRATION:

- (2) 24 Mesh Filters (680 Micron)

#### MODEL: RW75-2020

MAX GPM FLOW: 80

FILTRATION:

- (2) 20 Mesh Filters (841 Micron)

\* Additional mesh sizes and customized configurations are available upon request.

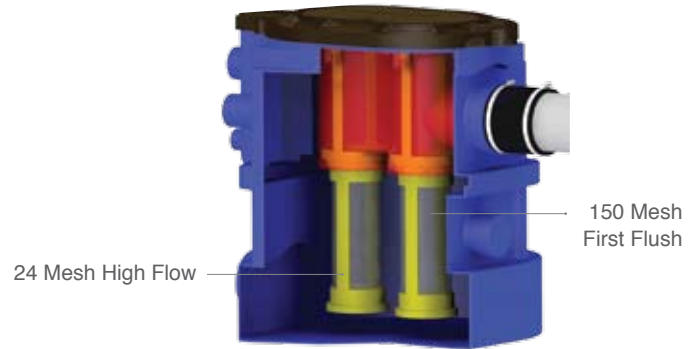
\*\* Model RW75-15024 provides a 150 Mesh First Flush Filter.

## RW75 RAINWATER FILTERS |

### TECHNICAL SPECIFICATION

#### RW75 SERIES RAINWATER FILTERS

(pre-filtration for rainwater storage systems)



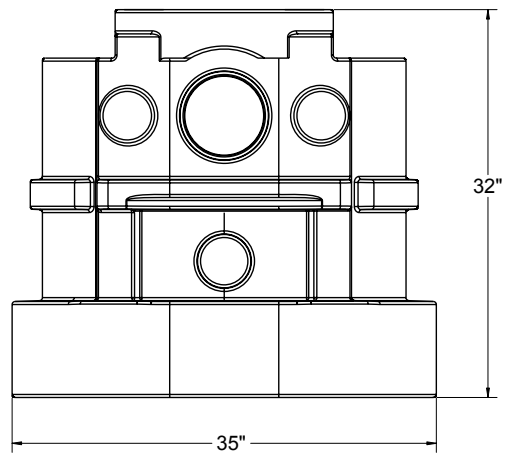
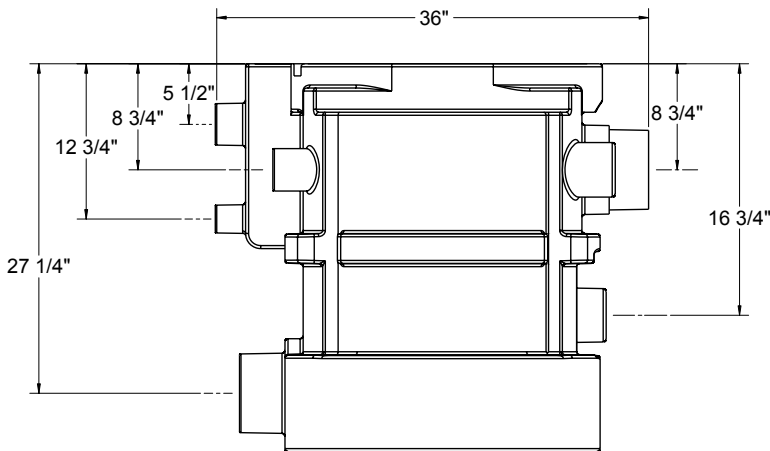
The Rainwater Filter shall provide a 6" intake port.

The Rainwater Filter shall be able to accept two removable filter baskets with a detachable 316 stainless steel elements for periodic system cleaning. The Rainwater Filter shall feature a removable, integrated filter carriage, providing unobstructed access to the pump chamber. The

Rainwater Filter shall include 9 internal pipe connection ports. The Rainwater Filter shall include a bolted lid with an inner filter element access cap for convenient filter removal.

The Rainwater Filter's dimensions shall be 35" x 36" x 32".

The Rainwater Filter shall be manufactured by Filtrific Company LLC, Bellevue Washington.



Filtrific®  
13212 NE 16th St.  
Suite C-101 Bellevue, WA 98072  
P: 800.906.0604 • F: 425.482.9559

[www.filtrific.com](http://www.filtrific.com)